



KINGS ENGINEERING COLLEGE

Chennai-Bangalore Highway, Irungattukottai, Sriperumbudur, Chennai - 602 117.
Ph: 044-71224401 - 08. Fax: 044-71224410

ACCREDITED WITH NAAC & NBA, AFFILIATED TO ANNA UNIVERSITY and APPROVED BY AICTE

EVENT REPORT

Name of the Club	STEAM-Design Club	
Name of the Event	Design Contest	
Date and Time of the Event	24/8/2020 and 2.00 pm	
Location/Mode	Online	
Name of the Coordinator	Mr.B.Vigneshwaran,AP/Mech	
Resource Person Detail	-	
Target Audience / Beneficiaries	2 nd Year Mechanical Students	
Number of Participants	6	
Objective of the Event	Improve design knowledge	
Outcome of the Event	Design knowledge	
If competition,	Juries	1. Mr. B.Vigneshwaran, AP/Mech
	Winners List	1. Hariharan M 2. Varun P

STEAM – Design Club Coordinator

Mr.B.Vigneshwaran,AP/Mech

Principal

About the Event:

Design club of mechanical department is going to conduct a CADD modelling competition on 28/2/2021 afternoon 2.00pm at CAD lab. Here we focus on CAD (Computer Aided Design) software for mechanical objects. The software can be highly specific; it is designed to be a technical tool with functions in industrial design, mechanical design, architecture, and areas such as aerospace engineering and astronautics. Totally 6 participants are attended the event. Duration of the event is 2 hours. Participants need to part model, assembly, and draft. The marks are awarded for the participants based on their part modelling, assembly, drafting, and timing. Based on the marks scored by the students certificates will be provided.

PARTICIPANTS LIST:

S.NO	NAME
1.	Arun Kumar D
2.	Deepan D
3.	HariHaran M
4.	Murali B
5.	Sanjay S
6.	Varun P

KINGS ENGINEERING COLLEGE

Department of Mechanical Engineering

Design Club Members

COORDINATOR

Mr.B.Vigneshwaran, AP/ Mechanical

STUDENT ORGANIZERS

M.Essai Bharath – IV Year / Mechanical

K.Santhana Abishek – IV Year / Mechanical

Chelsea Jency D - IV Year / Mechanical

COMMITTEE MEMBERS

1. S.Yuvaraj - III Year / Mechanical

2. M.Aswinkumar - III Year / Mechanical

3. M.Sivasubramani - III Year / Mechanical

4. S.Dharshiniya - III Year / Mechanical

5. Titus Caleb Jeremiah - III Year / Mechanical

6. S.Ajith - III Year / Mechanical

7. Arun Kumar D - II Year / Mechanical

8. Deepan D - II Year / Mechanical

9. HariHaran M - II Year / Mechanical

10. Murali B - II Year / Mechanical

11. Sanjay S - II Year / Mechanical

12. Varun P - II Year / Mechanical

KINGS ENGINEERING COLLEGE

Department of Mechanical Engineering

STEAM-Design Club

MODEL NEED TO DRAW

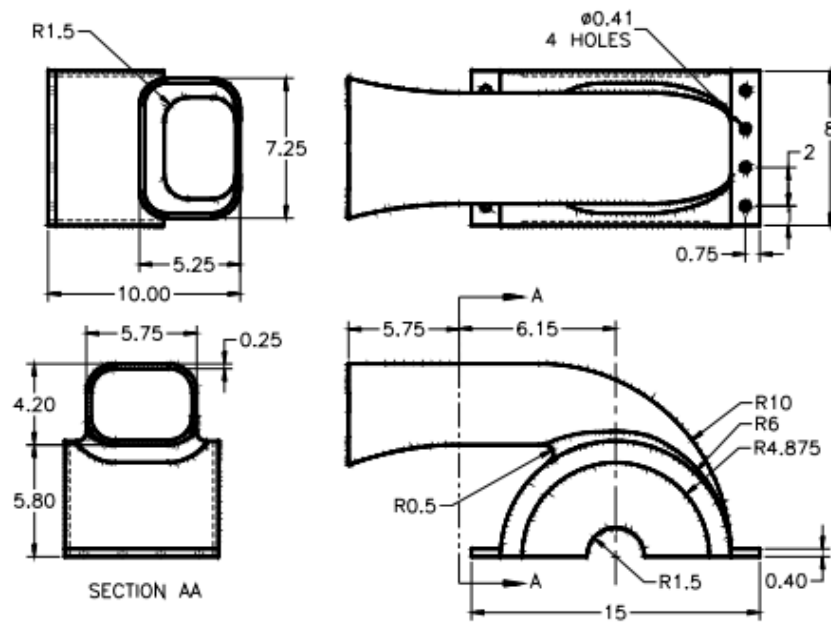


Figure 3 Dimensions of the Upper Housing

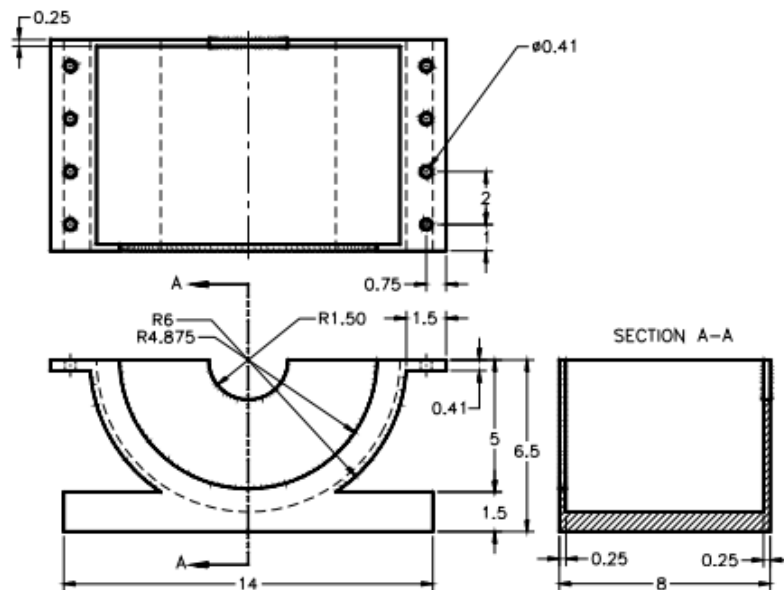


Figure 4 Dimensions of the Lower Housing

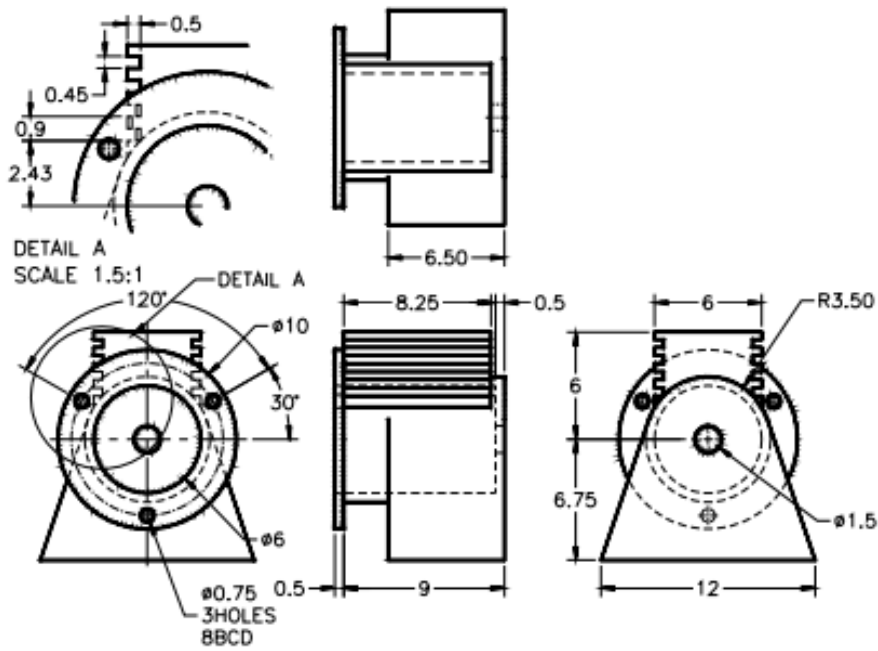


Figure 6 Dimensions of the Motor

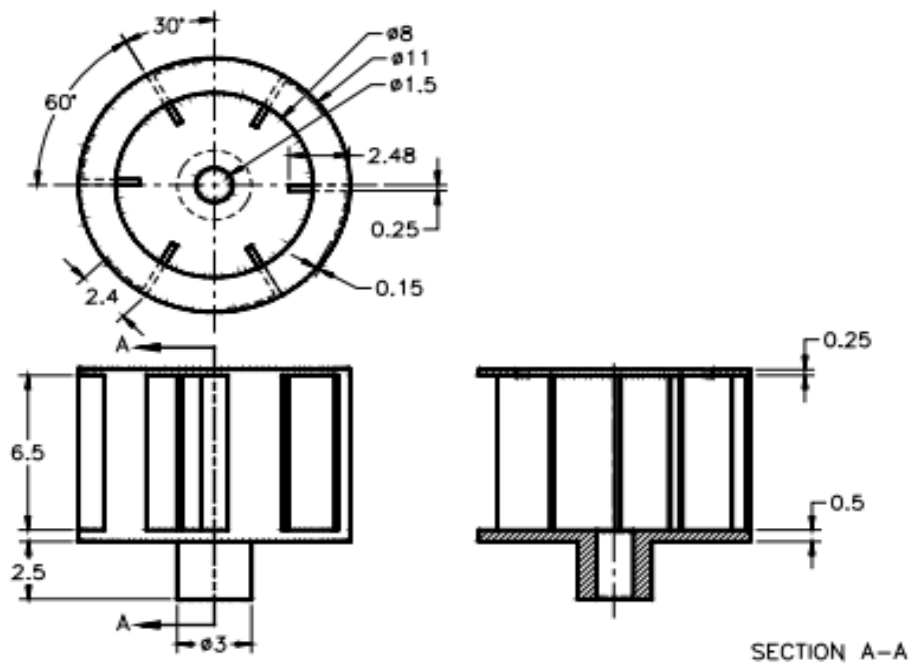


Figure 5 Dimensions of the Blower

B. Highman

STEAM-Design Club Coordinator