



# KINGS ENGINEERING COLLEGE

Chennai-Bangalore Highway, Irungattukottai, Sriperumbudur, Chennai - 602 117.  
Ph: 044-71224401 - 08. Fax: 044-71224410

ACCREDITED WITH NAAC & NBA, AFFILIATED TO ANNA UNIVERSITY and APPROVED BY AICTE

## EVENT REPORT

Name of the Club	STEAM-Design Club	
Name of the Event	Cadd modelling competition	
Date and Time of the Event	24/2/2021 and 2.00 pm	
Location/Mode	Online	
Name of the Coordinator	Mr.B.Vigneshwaran,AP/Mech	
Resource Person Detail	-	
Target Audience / Beneficiaries	3 <sup>rd</sup> Mechanical Students	
Number of Participants	6	
Objective of the Event	Improve design knowledge	
Outcome of the Event	Design knowledge	
If competition,	Juries	1. Mr.B.Vigneshwaran,AP/Mech
	Winners List	1. S.Yuvaraj 2. M.Aswinkumar

STEAM – Design Club Coordinator

Mr.B. Vigneshwaran,AP/Mech

Principal

## **About the Event**

Design club of mechanical department is going to conduct a CADD modeling competition on 24/2/2021 afternoon 2.00pm at CAD lab. Here we focus on CAD (Computer Aided Design) software for mechanical objects. The software can be highly specific; it is designed to be a technical tool with functions in industrial design, mechanical design, architecture, and areas such as aerospace engineering and astronautics. Totally 6 participants are attended the event. Duration of the event is 2 hours. Participants need to part model, assembly, and draft. The marks are awarded for the participants based on their part modelling, assembly, drafting, and timing. Based on the marks scored by the students certificates will be provided.

## **Participants List:**

<b>S.NO</b>	<b>NAME</b>
1.	S.Yuvaraj
2.	M.Aswinkumar
3.	M.Sivasubramani
4.	S.Dharshiniya
5.	Titus Caleb Jeremiah
6.	S.Ajith

# **KINGS ENGINEERING COLLEGE**

Department of Mechanical Engineering

## **Design Club Members**

### **COORDINATOR**

**Mr.B.Vigneshwaran, AP/ Mechanical**

### **STUDENT ORGANIZERS**

**M.Essai Bharath** – IV Year / Mechanical

**K.Santhana Abishek** – IV Year / Mechanical

**Chelsea Jency D** - IV Year / Mechanical

### **COMMITTEE MEMBERS**

**1. S.Yuvaraj** - III Year / Mechanical

**2. M.Aswinkumar** - III Year / Mechanical

**3. M.Sivasubramani** - III Year / Mechanical

**4. S.Dharshiniya** - III Year / Mechanical

**5. Titus Caleb Jeremiah** - III Year / Mechanical

**6. S.Ajith** - III Year / Mechanical

**7. Arun Kumar D** - II Year / Mechanical

**8. Deepan D** - II Year / Mechanical

**9. HariHaran M** - II Year / Mechanical

**10. Murali B** - II Year / Mechanical

**11. Sanjay S** - II Year / Mechanical

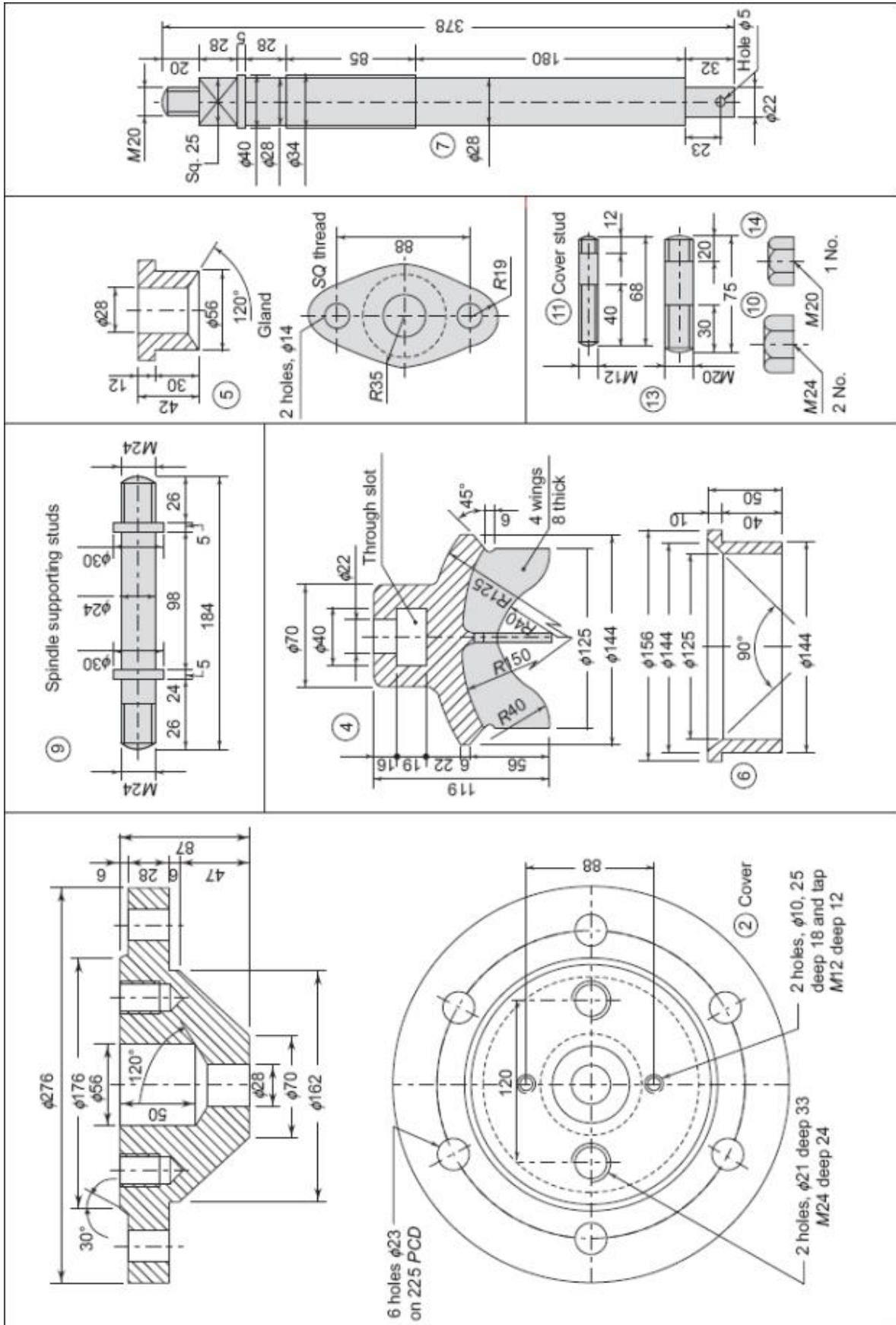
**12.Varun P** - II Year / Mechanical

# KINGS ENGINEERING COLLEGE

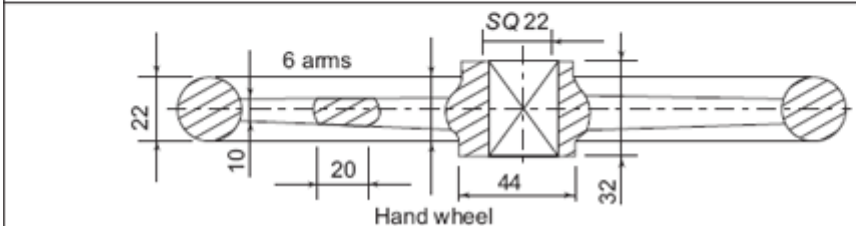
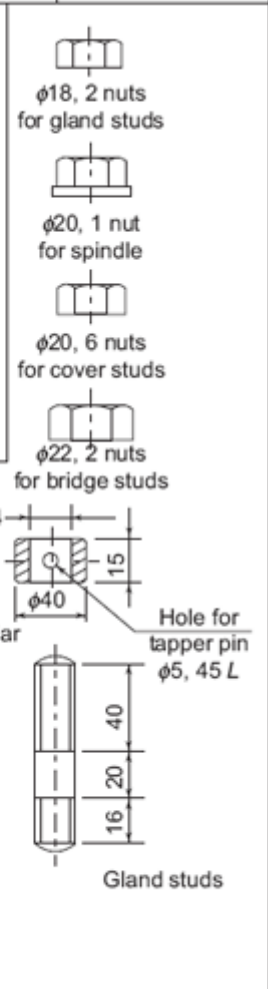
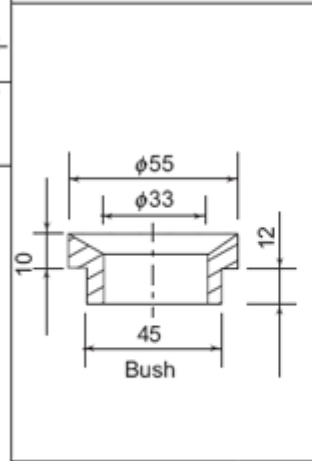
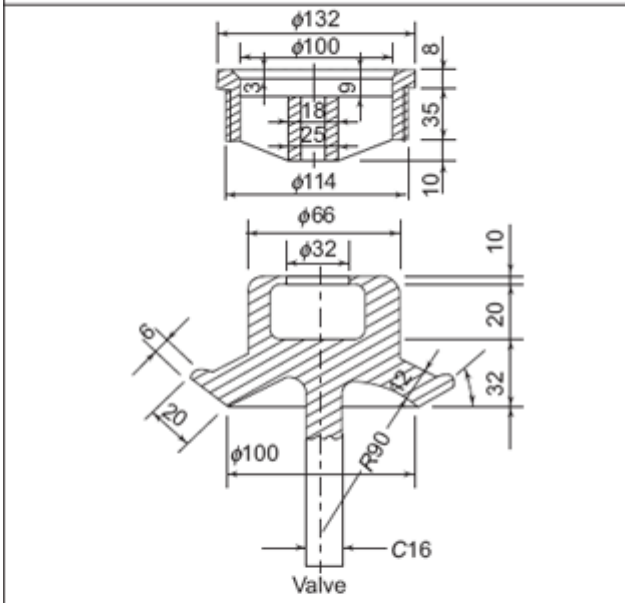
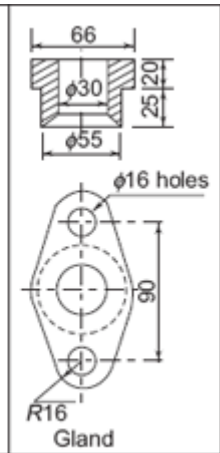
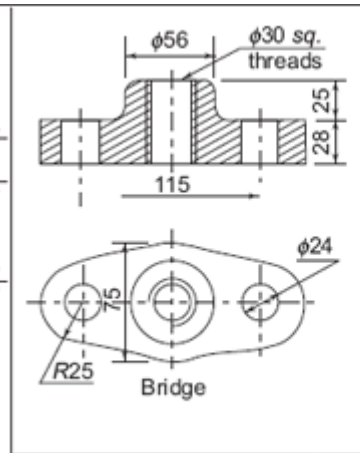
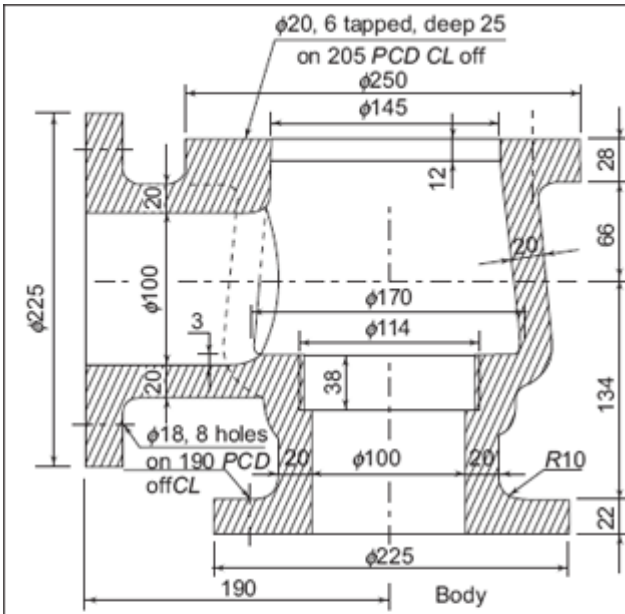
Department of Mechanical Engineering

Design Club Members

MODEL NEED TO DRAW

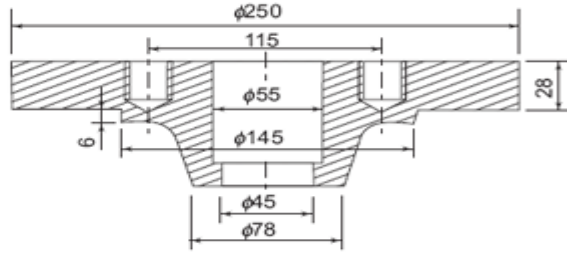








φ20, 6 cover studs

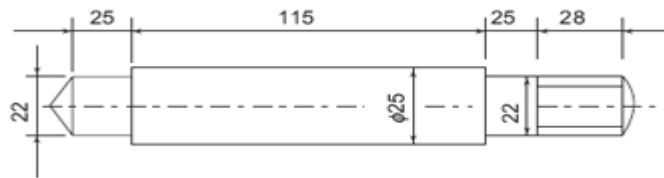


φ20, 6 holes on  
205 PCD

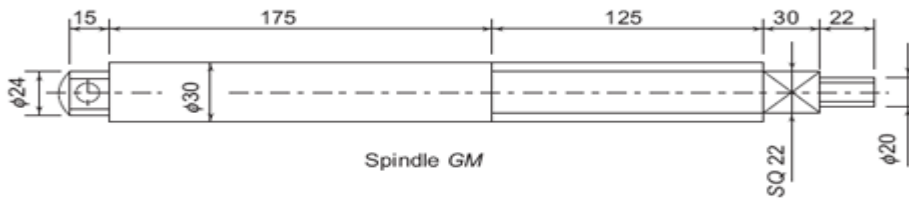
φ22,  
2 tapped  
25 deep

φ16, 2 tapped  
deep for gland  
studs

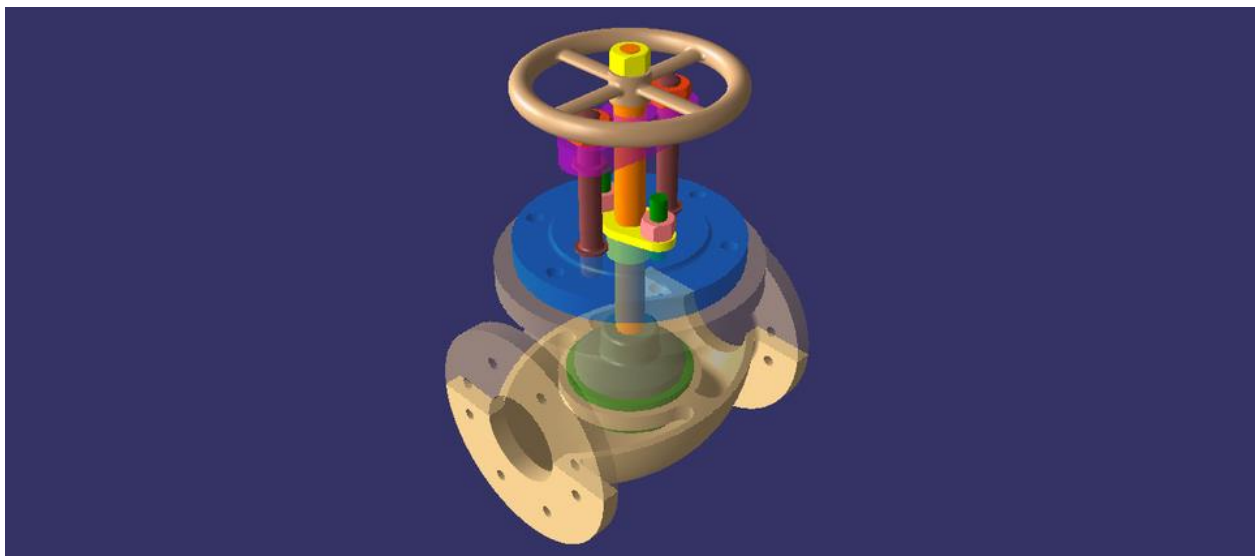
Cover



Bridge studs 2 in no.



Spindle GM



*B. Highman*

STEAM-Design Club Coordinator